

IAP6300 INTELLIGENT ACCESS POINT

GENERAL DESCRIPTION

In a MeshNetworks Enabled Architecture (MEA) mobile broadband network, the Intelligent Access Point (IAP) is a small, low-cost device that acts as the transition point from the wireless network to the wired world. Each IAP offers a maximum burst rate of up to 6 Mbps that can be used for voice, video and data communications. If greater network capacity is required, additional IAPs can be easily deployed - without the need for extensive RF or site planning. The location of IAPs is not critical due to the self-forming, self-healing and self-balancing nature of the MEA network.

Intelligent Access Points Also Provide

- Local network management of Wireless Routers and Client Devices
- Fixed reference point for geo-location services
- Mobility management

FEATURES AND BENEFITS

Up to 6 Mbps Burst Data Per IAP

Each IAP provides up to 6 Mbps burst data. Since IAPs utilize intelligent data rate selection and sophisticated self-forming routing algorithms, new IAPs can be added to address hot spots, or any place increased capacity is needed. Deployment is simple, as new IAPs automatically integrate themselves into the network.

Supports High-Speed Mobility

The MEA solution has been designed from the ground-up as a mobile broadband network. Wide area mobility management and seamless hand-offs between IAPs insure consistent service and sustained broadband data rates, even when clients are moving at highway speeds.

Easy to Install and Deploy

IAPs are designed to mount on utility poles, billboards, buildings, etc. Simple mounting hardware and plug-in power and network connections make deployment easy. IAPs power-up and integrate into the network automatically.

Network Management and Monitoring

The IAP6300 supports over-the-air management and maintenance of Wireless Routers and Client Devices. IAPs monitor the network's health via communications with the MiSC. Over-the-air software loads for network and client devices can be distributed via IAPs.



Fast and Accurate Position Location

MeshNetworks' architecture does not depend on GPS for client location. The fixed positions of IAPs and Wireless Routers, along with patented software, are used to determine the accurate 3D location of any client. Location information for subscriber devices is output in standard NMEA0183 format, or through MeshNetworks' API. This feature supports location-aware services that will lead to next generation mobile applications.

Supports End-to-End Industry Standard IP

Intelligent Access Points transparently support end-to-end, standards-based Internet Protocol (IP) applications and devices. This maximizes existing investments in client hardware and software, while eliminating training for new applications or procedures.

CONTACT INFORMATION

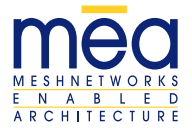
PHONE (407) 659-5300
FAX (407) 659-5301
EMAIL info@meshnetworks.com

MAILING ADDRESS MeshNetworks, Inc.
P.O. Box 948133
Maitland, FL 32794-8133

mobile broadband network solutions



PRODUCT SPECIFICATIONS



GENERAL INFORMATION

Data Rate	1.5 to 6 Mbps burst, depending on configuration
Certifications	US-FCC Part 15 RSS-210
Safety Certifications	IEC 60950 EN 60950, EN 60215 CSA C22.2 No. 60950-00010
CE Mark	ETSI EN 300 328 V 141 ETSI EN 301 489-1 ETSI EN 301 489-17 EN 55022:1998, EN 55024:1998
Power Consumption	12W Maximum at 120v AC
Power Requirements	90-264v AC 47-63 Hz Single Phase
Power Cord	MeshNetworks' NEMA 5-15 Power Cord (6ft)

NETWORK INFORMATION

Network Management	MeshManager via SNMP
Network Interface	10/100 Mbps Ethernet (other options available)

RADIO

Output Power	Up to 25 dBm
RF Modulation	QDMA
Operating Frequency	2.4 GHz - 2nd ISM band
Antenna Type	Omnidirectional 8 dBi
Antenna Connector	N-Type

PHYSICAL

Dimensions (without antenna)	6.25" x 6.25" x 4" (15.9cm x 15.9cm x 10.2cm)
Weight	3.8 lbs (1.73kg)
Packaging	NEMA 4 environmental enclosure for indoor or outdoor deployment

ENVIRONMENTAL

Temperature Range -35 to 55 °C

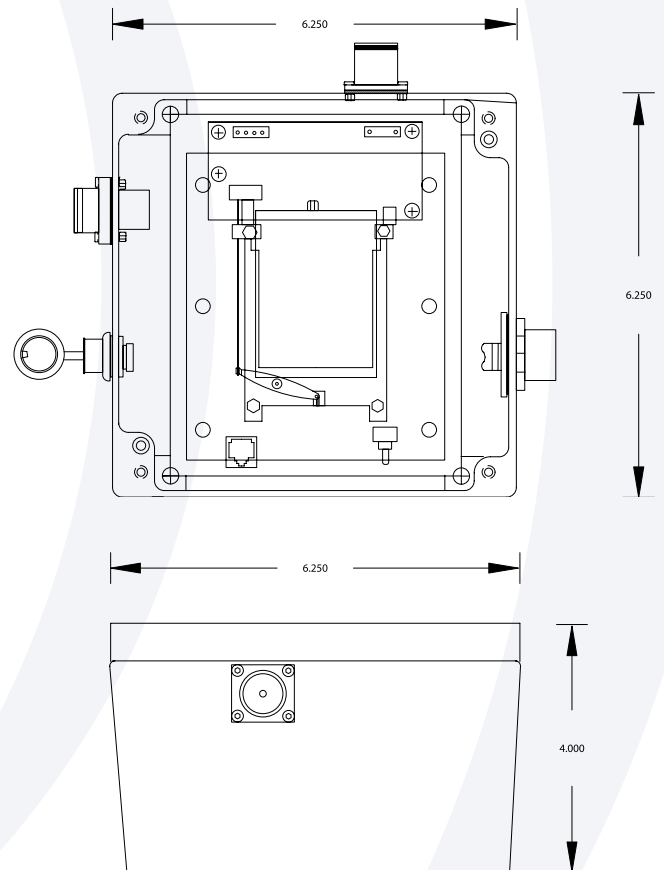
Humidity 0-100%

AVAILABLE OPTIONS

Power Tap Cable Assembly
Photo Cell Power Adapter

DC Input IAP6300 with 5V DC
input available

Antenna Ask your sales representative
for other antenna options



MeshNetworks, MeshNetworks Enabled Architecture, MEA, Intelligent Access Point, IAP, IAP6300, MWR6300, WMC6300, EWR6300, VMM6300, PWR6300, MN2064A, MeshConnex, MeshConnex Core, MeshConnex Access, Continuous Meshing Capability, CMC, MeshNetworks Scalable Routing, MSR, MeshDK, MeshManager, Mobile Internet Switching Controller, MiSC, QDMA, and Multi-Hopping are trademarks of MeshNetworks, Inc.

mobile broadband network solutions

