

MiSC MOBILE INTERNET SWITCHING CONTROLLER

GENERAL DESCRIPTION

In a MeshNetworks Enabled Architecture (MEA) mobile broadband network, the Mobile Internet Switching Controller (MiSC) system provides routing, switching and management functions. It also supplies the connection to the wired world. MiSC hardware is comprised of off-the-shelf components; packet gateways and routers, optional media, and application servers.

System administrators can monitor and maintain their networks via MeshManager software. This application provides all the tools needed to provision and manage clients and network infrastructure, and operates on off-the-shelf server hardware.

The MiSC System Also Provides

- Subscriber & device authentication and authorization
- Operations, Administration, Management, and Provisioning (OAM&P) services
- Inter/Intra-system mobility management

FEATURES AND BENEFITS

Off-the-Shelf Components

MeshNetworks makes extensive use of off-the-shelf solutions throughout the MiSC hardware and software. This results in a low-cost, yet very reliable design. Operations technicians with IT backgrounds will be able to maintain and upgrade the MiSC components with little training.

Comprehensive Network OAM&P

The MeshManager software supports a comprehensive suite of network management functions and capabilities. Security, client administration and accounting, and performance monitoring are all integrated into the user interface. All network components (including client devices) are managed and monitored via industry standard SNMP.

Supports Data, VoIP and Video Services

The MiSC hardware and software can be configured to support any combination of voice, video and data services. Its modular design enables the capacity of each media offering to be scaled separately.



Scalable From 25 to 200,000 Clients

Due to its modular architecture, the MiSC solution is highly scalable in terms of both performance and capacity. A single MiSC server can be deployed to economically serve 25 clients, and grow to support over 200,000.

Optional Media and Applications Servers

Media and applications services can be integrated directly in to the core fabric of the MiSC system. This enables general MiSC functions, such as network management, Internet security, or VoIP signaling, to be leveraged by these servers, lowering capital and operating costs.

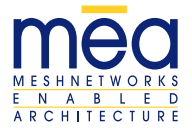
CONTACT INFORMATION

PHONE (407) 659-5300
FAX (407) 659-5301
EMAIL info@meshnetworks.com
MAILING ADDRESS MeshNetworks, Inc.
P.O. Box 948133
Maitland, FL 32794-8133

mobile broadband network solutions



PRODUCT SPECIFICATIONS



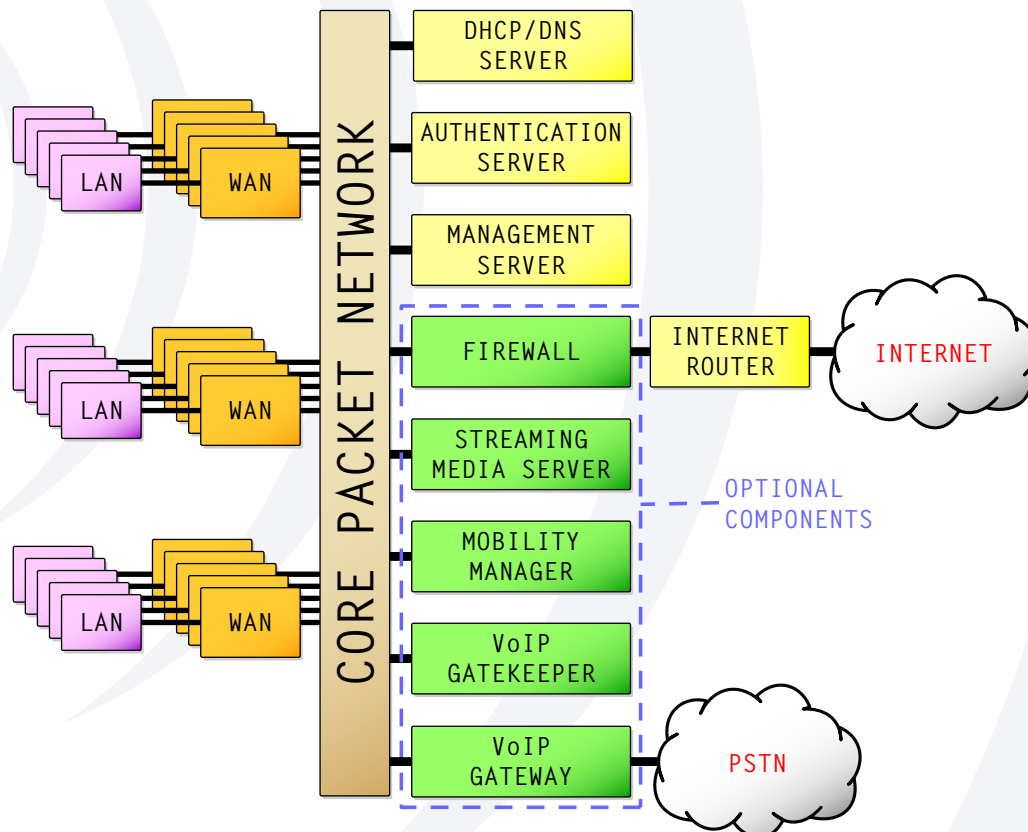
GENERAL INFORMATION

Subscriber Capacity	Up to 200,000
IAPs Supported	Up to 500
Battery Backup	Configurable
Power Consumption	110v/220v AC
Packaging	Desktop, or Standard 19-inch racks (1 to 4)

NETWORK INFORMATION

Network Interfaces Supported	10/100 Mb Ethernet Optional: T1, E1, or DS3
VoIP Protocol	H.323, SIP
Network Management	MeshManager via SNMP
Authentication, Authorization, and Administration	DHCP/DNS address management, Support of any IP-based VPN/encryption, and MeshNetworks' hardware authentication services
Internet Security	Optional integrated hardware firewall

MISC FUNCTIONAL COMPONENTS



MeshNetworks, MeshNetworks Enabled Architecture, MEA, Intelligent Access Point, IAP, IAP6300, MWR6300, WMC6300, EWR6300, VMM6300, PWR6300, MN2064A, MeshConnex, MeshConnex Core, MeshConnex Access, Continuous Meshing Capability, CMC, MeshNetworks Scalable Routing, MSR, MeshDK, MeshManager, Mobile Internet Switching Controller, MiSC, QDMA, and Multi-Hopping are trademarks of MeshNetworks, Inc.

mobile broadband network solutions

